

EMI Ferrite Core



1.EMI Ferrite Core Features:

- (1)Split EMI Suppression Core consists with a nylon plastic case and two half ferrite cores.
- (2)Precision formed smooth surface prevent damage to wire insulation.
- (3)Ferrite cores are used for round cable or bundled wires with diameters from 2.5 mm to 14 mm .
- (4)It is available to suppress differential or common-mode conducted EMI from 1 MHz to GHz region.
- (5)Compared to conventional products, has better mechanical strength and operating temperature range.
- (6)Light wight,inexpensive plastic snap-on cases provide secure mounting of the ferrite to the cable.
- (7)Snap on ferrite core can be installed to cable easily,don't need cut the existing cable firstly
and can be removed from cable without damage,it could save the time before marketing.
- (8)The polypropylene cases are meeting the RoHS restrictions of hazardous substances.

2.EMI Ferrite Core Specification:

Model	Shape	Colour	Fig	Dimensions(mm)					Impedance(Ω)min	
				ΦA	B	ΦC	D	E	25MHz	100MHz
PERC35B	Round	Black	1	13.0 \pm 1.0	11.8 \pm 1.0	5.0 \pm 0.8	25.2 \pm 1.0	2.5 \pm 1.0	65	150
PERC70B	Round	Black	1	16.5 \pm 1.0	14.0 \pm 1.0	7.0 \pm 0.8	30.0 \pm 1.0	2.5 \pm 1.0	55	115
PERC90B	Round	Black/Grey	1	19.5 \pm 1.0	18.0 \pm 1.0	9.0 \pm 0.8	35.0 \pm 1.0	5.5 \pm 1.0	80	140
PERC135B	Round	Black	1	23.5 \pm 1.0	22.2 \pm 1.0	13.5 \pm 0.8	36.0 \pm 1.0	10.5 \pm 1.0	60	115
PENF65	Square	Black	2	17.5 \pm 1.0	19.5 \pm 1.0	6.5 \pm 0.8	32.5 \pm 1.0	/	100	255
PENF100	Square	Black	2	22.0 \pm 1.0	23.5 \pm 1.0	10.0 \pm 0.8	33.0 \pm 1.0	/	90	200
PENF130	Square	Black	2	29.0 \pm 1.0	30.0 \pm 1.0	13.0 \pm 0.8	32.0 \pm 1.0	/	100	200
PERC80A	Round	Black	3	19.5 \pm 1.0	23.0 \pm 1.0	8.0 \pm 0.8	17.0 \pm 1.0	23.0 \pm 1.0	35	80
PERC80B	Round	Black	3	19.5 \pm 1.0	23.0 \pm 1.0	8.0 \pm 0.8	19.5 \pm 1.0	26.0 \pm 1.0	40	85
PERC150B	Round	Black	3	29.0 \pm 1.0	33 \pm 1.0	15.0 \pm 0.8	15.5 \pm 1.0	21.5 \pm 1.0	25	70
PERC70A	Round	Grey	4	15.0 \pm 1.0	14.0 \pm 1.0	7.0 \pm 0.8	18.0 \pm 1.0	22.0 \pm 1.0	30	75
PERC90A	Round	Black	4	19.5 \pm 1.0	/	9.0 \pm 0.8	32.0 \pm 1.0	36.0 \pm 1.0	65	125
PERC110A	Round	Black	4	20.5 \pm 1.0	/	11.0 \pm 0.8	32.0 \pm 1.0	36.0 \pm 1.0	50	120
PERC130A	Round	Black/Grey	4	30.0 \pm 1.0	/	13.0 \pm 0.8	34.0 \pm 1.0	39.0 \pm 1.0	90	160
PERC50C	Round	Black	5	16.5 \pm 1.0	/	5.0 \pm 0.8	29.5 \pm 1.0	/	40	100
PERC70C	Round	Black	5	20.7 \pm 1.0	/	7.2 \pm 0.5	39.4 \pm 1.0	/	80	155

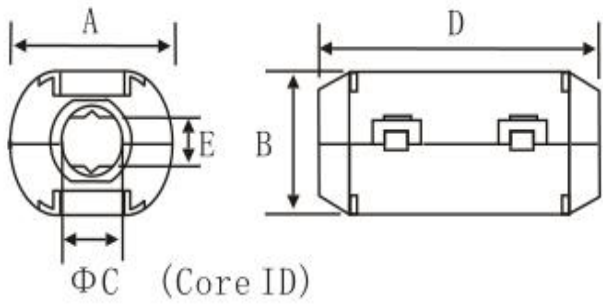


Fig.1

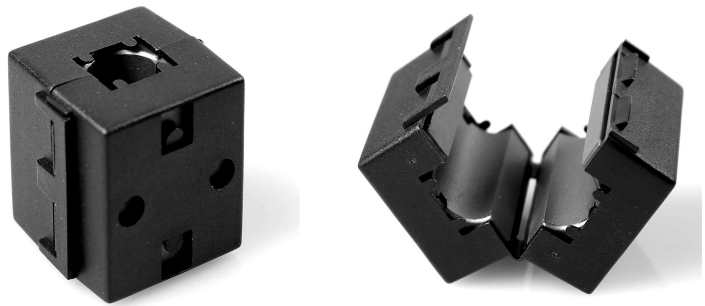
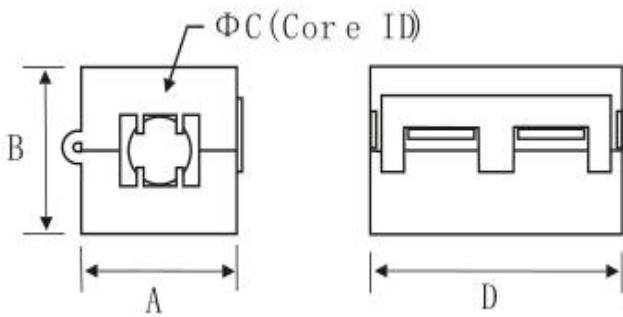


Fig.2

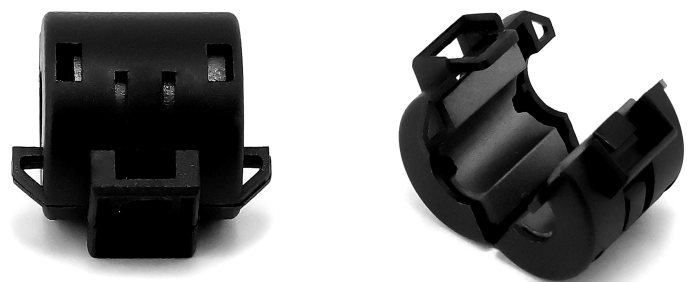
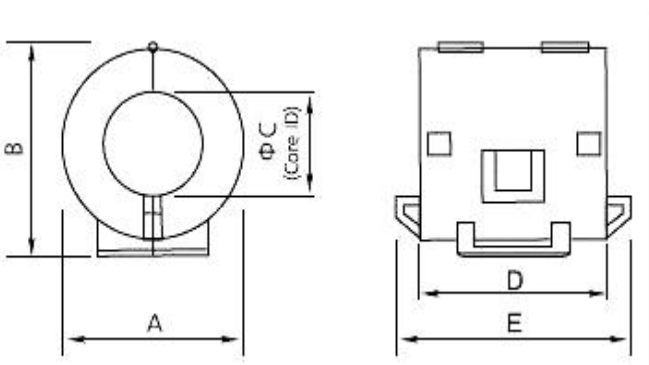


Fig.3

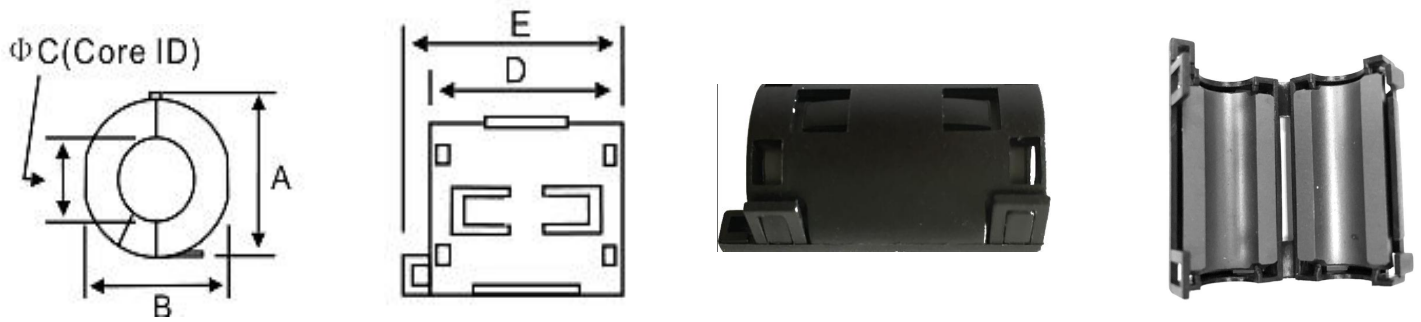


Fig.4

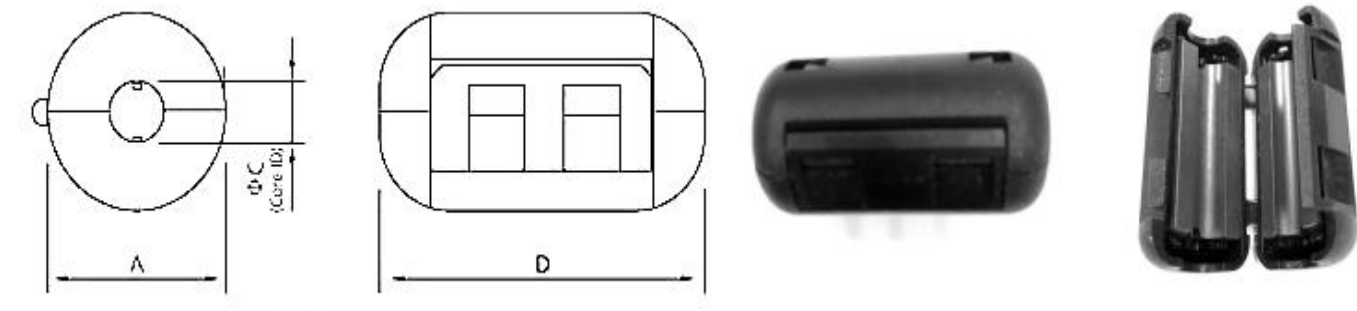


Fig.5

3.EMI Ferrite Core Application:

- (1) Aerospace/Aviation equipment
- (2) Transportation equipment (cars, electric trains, ships, etc.)
- (3) Medical equipment
- (4) Power-generation control equipment
- (5) Atomic energy-related equipment
- (6) Seabed equipment
- (7) Transportation control equipment
- (8) Public information-processing equipment
- (9) Military equipment
- (10) Electric heating apparatus, burning equipment
- (11) Disaster prevention/crime prevention equipment
- (12) Safety equipment
- (13) PCs, word processors, monitors, HDDs, digital telephones, audio equipment, Digital camera, Fax machine, electronic musical instruments, video games, copiers, and facsimiles
- (14) Other applications that are not considered general-purpose